

QUANTON[®]
hyperconverged

MX

Ultra-Converged Platform for SMB

Separate Scalability of Compute- & Storage-Power

2 Hot Swap Server & Storage Nodes

Extremely Cost Effective

One Box Data Center

pursue perfection



All-In-One Application Cluster

- The Quanton® MX-5 as a one-box Hyper-Converged solution represents a highly available environment for application servers with a common storage. The data is visible and available to both nodes and secured by mirror or parity sets. Each node has its own processing power for the application servers and can take over the other side in case of failure, thus the ongoing availability is very well assured.

Cache Technology

- By using CISC cache technology, the performance of the system is increased significantly especially when reading operations occur.

Standard Tiering

- A significant improvement of the performance of the Quanton® MX-5 will be achieved when using SSDs as a separate tier.

Private Cloud Supply

- The Quanton® MX-5 is designed as a private cloud, small and medium companies can map their entire IT infrastructure related to servers and storage to a single solution, the forwarding of data into a public cloud can thus be avoided completely.

Application Cluster

- Based on the powerful Microsoft® Hypervisor, the Quanton® MX-5 forms a highly available cluster system at which the application servers can be operated on, so that in the event of an error on one side the services can still be provided on the other side. The application servers themselves must not be cluster aware, but are to be operated virtualized.

Active/Active

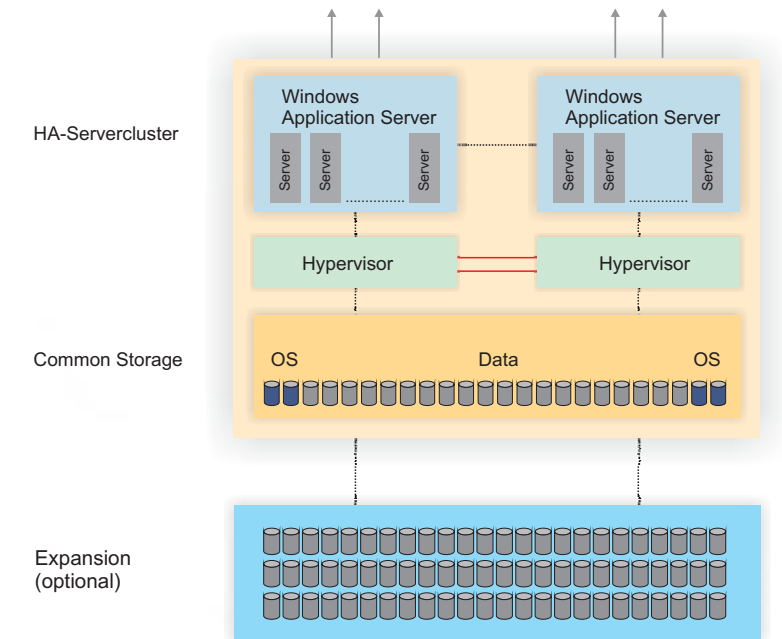
- Both nodes are active in normal operation mode as application servers and use the storage equally from both sides actively.

Multi-Tier Investment Protection

- Existing hardware, even from different manufacturers, can continue to be used. Quanton® Hyper-Converged platforms can also be utilized with current or next generation Quanton® systems. A modular design allows for a simple expansion at any given time.

Highly Effective Capacity Utilization

- After building the mirror or parity sets almost 100% of the net capacity can be applied to storing user data.



saved! forever

Common Storage Concept

- Quanton® MX-5 is based on a Common Storage Concept, which represents both a secure data availability as well as a cost effective solution in the TCO.

Data Availability

- Within the Common Storage System it is ensured that both nodes see identical data sets at any given time.

Flexible Connectivity

- All popular media for Ethernet are supported, including 1GBE, 10GBE, 25GBE, 40GBE and 50GBE copper as well as optical (RJ-45 / SFP+ / SFP28 / QSFP / QSFP28).

Easy Maintenance

- The Quanton® MX-5 Management Console uses standard Windows® Server 2016** or Windows Server 2012 R2 GUI. Multilevel rights management increases security and flexibility as well as making overall management easier.

TECHNICAL SPECIFICATIONS

Administration

Management	<ul style="list-style-type: none">Graphical User InterfaceSecured Administrator AccessMultiple Management Levels
Tools	<ul style="list-style-type: none">Console-ToolsExtended LoggingRemote Access via TCP/IPRemote Access also on offline systems
SNMP	<ul style="list-style-type: none">SNMP based Monitoring

Network

Management	<ul style="list-style-type: none">Webbased GUISecured Administrator AccessMultiple Management LevelsSSL Connection for Remote Control
Connectivity per node	<ul style="list-style-type: none">Support of multiple network cards with grouping and failover2x 10GBE RJ-45
Optional Connectivity	<ul style="list-style-type: none">Additionally up to 8x Gigabit or up to 8x 10 Gigabit Ethernet or up to 4x 25/40/50 Gigabit Ethernet or up to 4x 32Gigabit Fibre Channel in initiator mode

Data Management

Integration of Resources Volumes	<ul style="list-style-type: none">iSCSI InitiatorFC InitiatorSupport for physical volumes with more than 2TBSupport for logical volumes with more than 2TB
Snapshots Extension-features	<ul style="list-style-type: none">Multiple SnapshotsOnline extension of logical volumesOnline capacity extensionSpanning of logical volumes over multiple physical volumes
Data Integrity Security	<ul style="list-style-type: none">Mirror, Single Parity, Dual ParityData Security via Mirror or Parity in a two Controller Configuration with failover

Monitoring

Monitoring	<ul style="list-style-type: none">Hardware monitoringSNMPEmail notificationLog-functionRemote monitoring via web
------------	--

Power Security

UPS	<ul style="list-style-type: none">Local UPS SupportNetwork-UPS support
-----	---

NAS features

User management	<ul style="list-style-type: none">Windows Active DirectoryPrimary domain controllerAD User Group SupportUser- and group- quota allocation
Filesystem Antivirus	<ul style="list-style-type: none">Filesystem journaling supportedAntivirus with scheduling function for automatic scanning
Backup Agents	<ul style="list-style-type: none">Update of the Antivirus DatabaseAll Server 2016** and 2012 R2 certified Backup Agents supported

Supported hosts and protocols

Supported Hosts	<ul style="list-style-type: none">Microsoft Windows Server 2016**2012 R2/2012/2011/2008 R2/2008
Protocols (NAS)	<ul style="list-style-type: none">SMB 3.0/CIFS, FTP, Secure FTP, NFS v4

Host Resources

CPU	<ul style="list-style-type: none">Up to 44 Cores/88 Threads on each Node*
Memory	<ul style="list-style-type: none">Up to 2TB RAM per Node*
System Disks	<ul style="list-style-type: none">2 Disks in RAID 1 per Node
OS Licenses	<ul style="list-style-type: none">Starting with 2x 2 Licenses for virtual Windows Server 2012 R2* (Downgrade available)Up to Unlimited Host Licenses*

Warranty

Basic Warranty	<ul style="list-style-type: none">2 years Spare Parts in Advance Service/NBDExpandable up to 7 years spare part serviceExpandable up to 7 years On-Site Service5 support tickets for technical assistance included*
----------------	--

Front

Buttons	<ul style="list-style-type: none">On/Off-button
LEDs	<ul style="list-style-type: none">LED indicating operation24 LEDs for HDD activity

HDD Bays

Hot-swap	<ul style="list-style-type: none">24x 2.5" SAS-3 12GBit bays
----------	--

Redundant Cooling

Fans	<ul style="list-style-type: none">4x hot-swap fans4x PSU fan
------	---

Dimensions

Form factor	<ul style="list-style-type: none">2U rackmount
Dimensions	<ul style="list-style-type: none">87.5 x 444 x 790mm
Weight	<ul style="list-style-type: none">~45kg*
Color	<ul style="list-style-type: none">Black

Operating Environment

Operating	<ul style="list-style-type: none">10° - 25°C (50° - 77°F)8 - 90% (non-condensing)
Non-Operating	<ul style="list-style-type: none">-40° - 70°C (-40° - 158° F)5 - 95% (non-condensing)

novarion[®]

www.novarion.com • Email: office@novarion.com • Phone: +43 1 5441159-0

* Dependent on model
** Available in Q3/2016